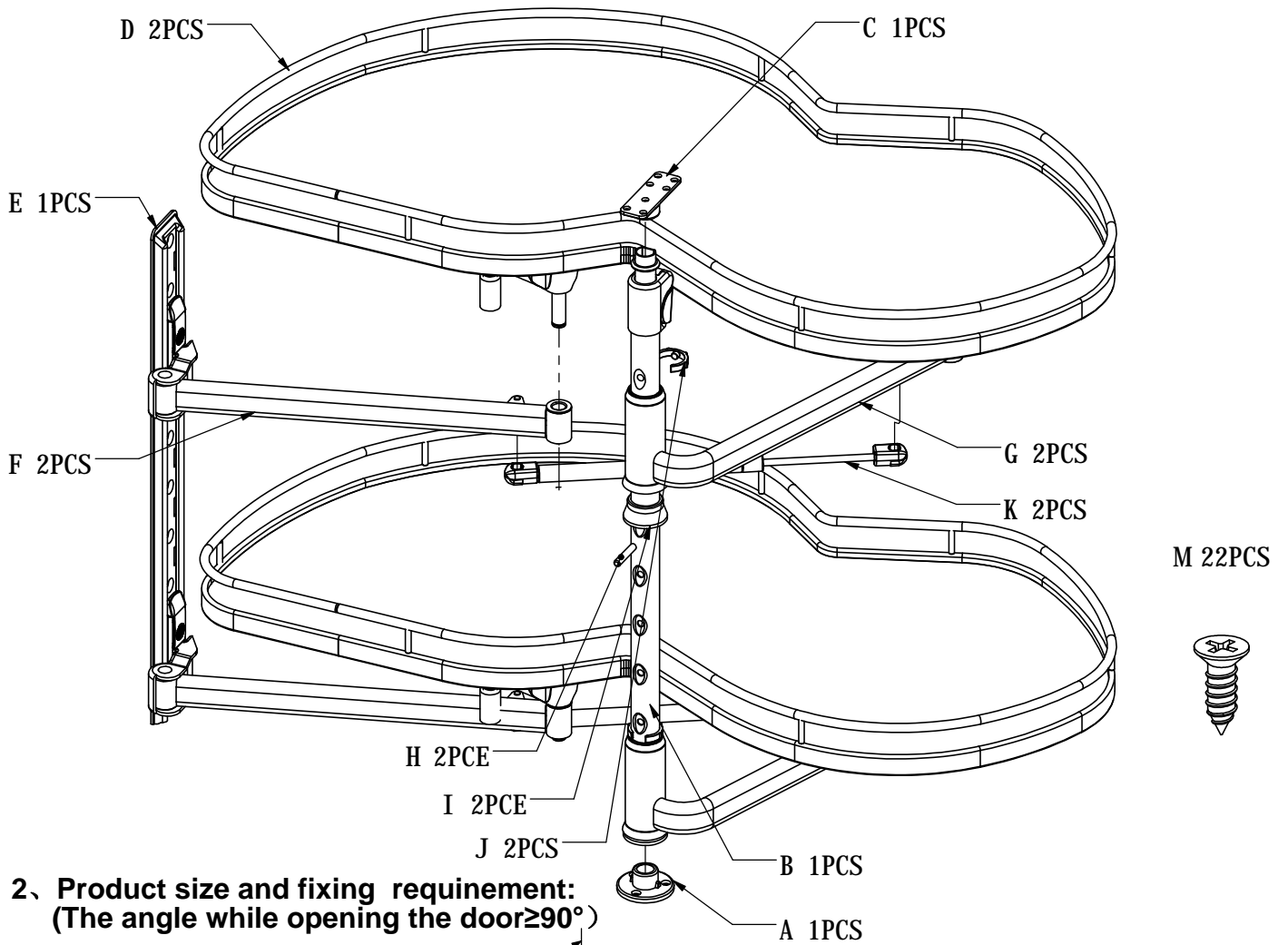
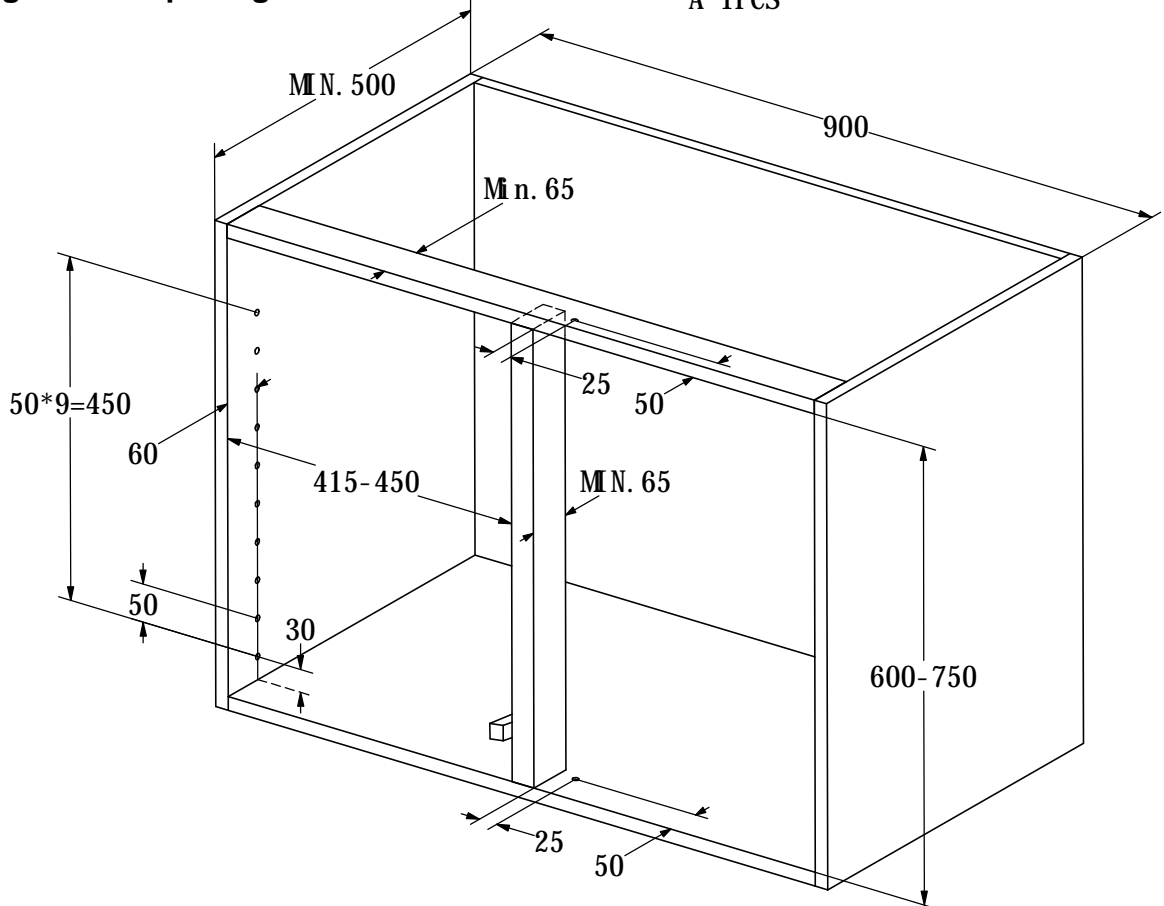


# Fixing manual for (B)PTJ017FL

## 1、Accessories:



## 2、Product size and fixing requirement: (The angle while opening the door $\geq 90^\circ$ )



## 3、 Fixing steps: (The PTJ017FL for example)

