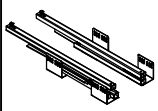


Installation

1.00



A *1



ST3.9*16

B *12



M4*8

C *2



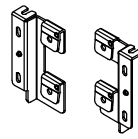
M5*6

D *2



M5*12

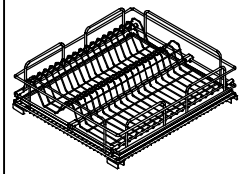
E *10



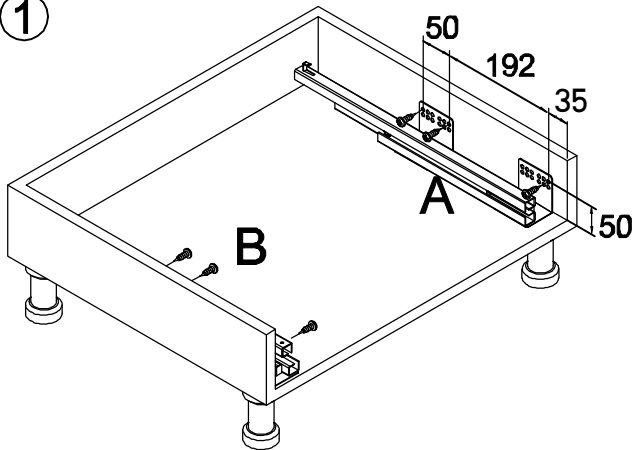
F *1



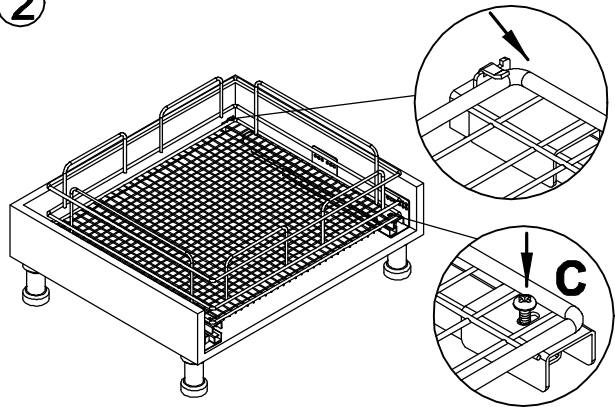
G *2



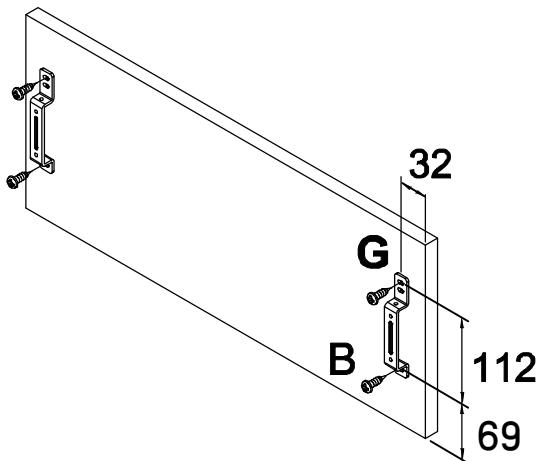
①



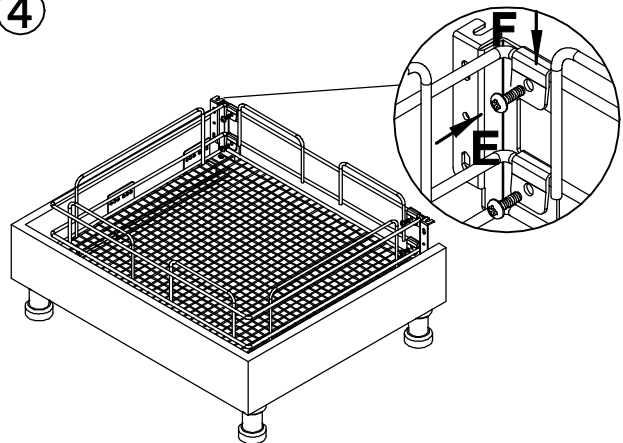
②



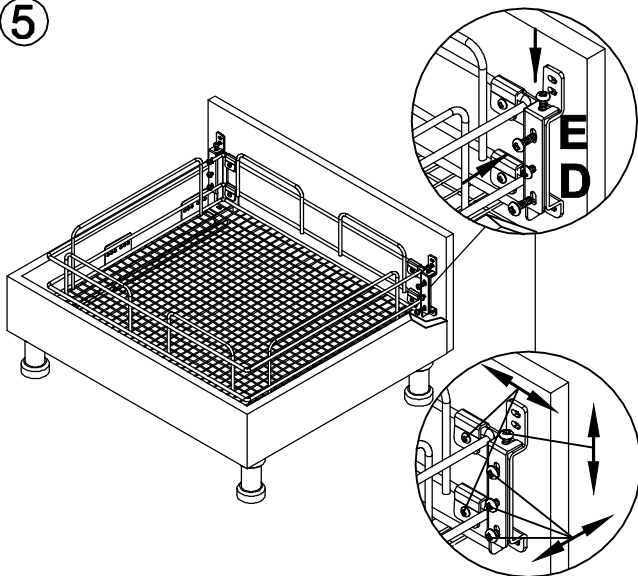
③



④



⑤



⑥

